

*Greater surface
area coverage for
more effective
load restraint*

STOPAK SQUARE BAG®



STOPAK SQUARE BAG® is:

- For larger voids
- Easy to use
- Cost effective
 - Durable
- Lightweight
- Space saving
- AAR approved



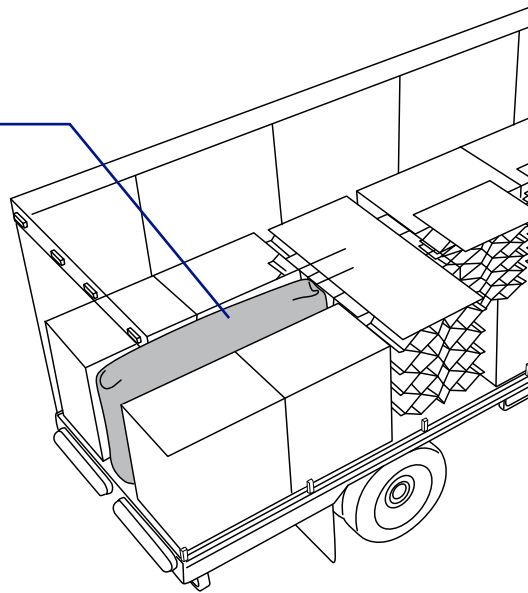
STOPAK SQUARE BAG®



STOPAK SQUARE BAG® fills extra-large voids and covers more surface area, eliminating the need for additional dunnage material. The gusseted, durable polypropylene outer shell provides superior tear and puncture resistance. They are appropriate for use in wet or dry conditions and are simple to position, inflate, and deflate.



Designed by **STOPAK**, the **SQUARE BAG** was created to fill larger voids of 16" to 30" wide.



Sunrise's load securement experts will help you determine the best configuration for your shipment.

sunrisemfg.com
Load Protection Analysis
(800) 748-6529