

*Single pallet  
securement  
providing protection  
against load shift*



**SADDLE-PAK®**

SADDLE-PAK® is:

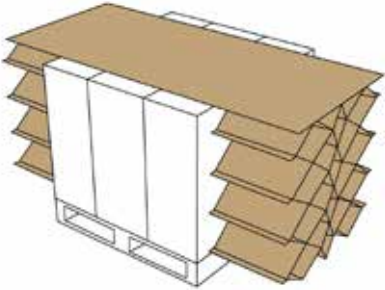
- Convenient
- Cost effective
- Strong
- Lightweight
- Recyclable



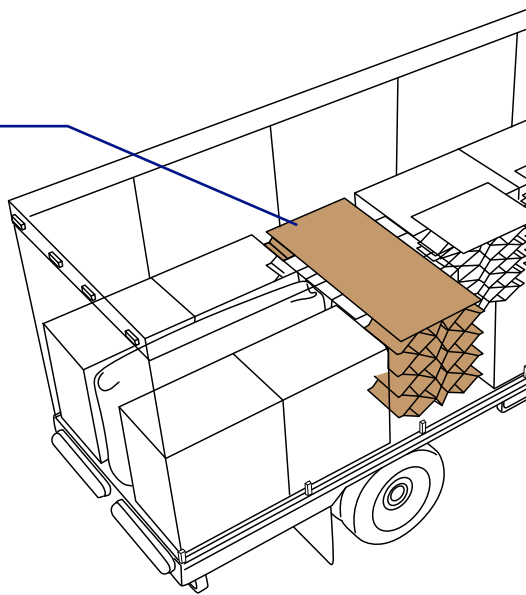
# SADDLE-PAK®



**SADDLE-PAK®** corrugated void filler helps maintain proper axle weight distribution by distributing more weight to the rear and away from the nose. Lightweight and easy to use, SADDLE-PAK® stores flat and expands to fill the void on each side of the unit.



**SADDLE-PAK®** is custom built for your specifications. Our load securement experts will help you determine the best configuration for your shipment.



Sunrise's load securement experts will help you determine the best configuration for your shipment.

[sunrisemfg.com](http://sunrisemfg.com)  
**Load Protection Analysis**  
(800) 748-6529